

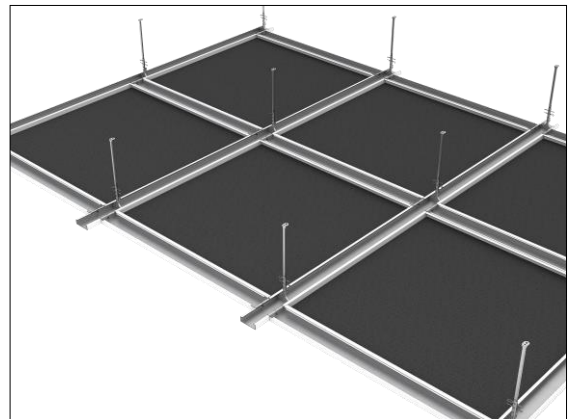
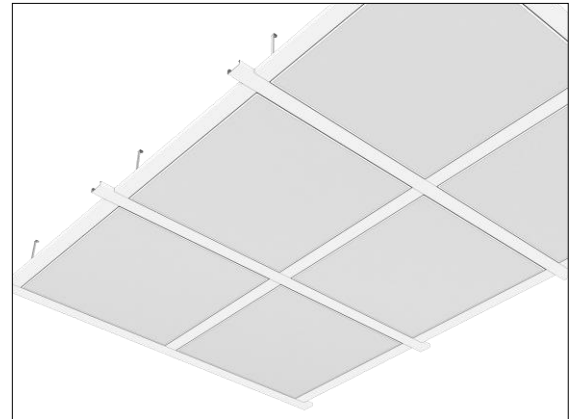


LMD-B 110

Post cap ceiling with cross noggins


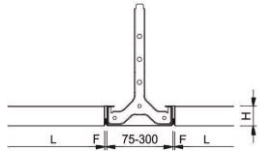

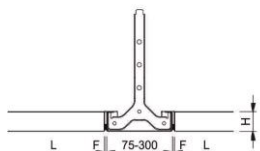

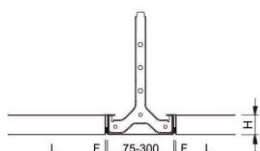

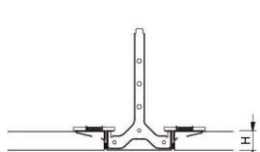
This ceiling system with visible linear Post Caps and Cross Noggins offers you the possibility to fasten partitions to Post Caps in both directions. Thanks to the structured ceiling layout, possible future room sizes can be identified. The striking Post Caps of this space-saving ceiling system can be used as design element or for technical installations. Ceiling panels with Swing-Down mechanism are available for areas with increased maintenance demands. To reduce costs, they can also be combined with Lay-In ceiling panels.

- visible Cross Noggins as design elements
- individual room layout thanks to the possibility to fasten partitions to Post Caps in both directions
- Post Caps can be used for technical installations or luminaires
- space-saving ceiling system with low construction height
- easy maintenance option due to ceiling panels that can be individually operated, swung down and slid
- possible future room sizes can be identified
- hygienic and easy to clean





Ceiling elements

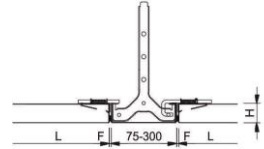
LMD-B 110 Type 1		 
Lay-In		
Length (L)	250 - 3,300 mm	
Width (B)	200 - 1,250 mm	
Height (H)	30, 40, 50 mm	
Joint width (F)	butt joint, 1, 3 or 5 mm	
LMD-B 110 Type 2		 
Lay-In with Hook-On edge		
Length (L)	250 - 3,300 mm	
Width (B)	200 - 1,250 mm	
Height (H)	30, 40, 50 mm	
Joint width (F)	butt joint, 1, 3 or 5 mm	
LMD-B 110 Type 3		 
Lay-In with Hook-On notch		
Length (L)	250 - 3,300 mm	
Width (B)	200 - 1,250 mm	
Height (H)	30, 40, 50 mm	
Joint width (F)	3 mm	
LMD-B 110 Type 4		 
Lay-In, Swing-Down and slide option on longitudinal side		
Length (L)	250 - 2,200 mm 2,201 - 3,000 mm	
Width (B)	200 - 1,250 mm 200 - 625 mm	
Height (H)	30, 50 mm	
Joint width (F)	3 mm	



LMD-B 110 Type 6

Lay-In, Swing-Down and slide option on short side

Length (L)	250 - 2,200 mm	2,201 - 3,000 mm
Width (B)	200 - 1,250 mm	200 - 625 mm
Height (H)	30, 50 mm	
Joint width (F)	3 mm	

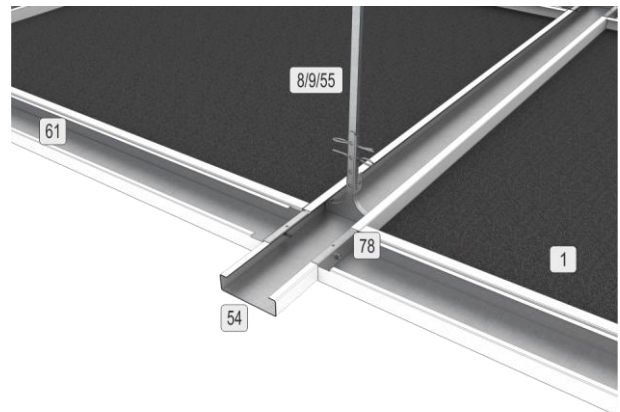


Technical data

Material	galvanised sheet steel
Weight	approx. 8 - 10 kg/m ² (without fixtures/installations)
Serviceability	swing-down and slide option or removable without tools
Wall connection options	L-angle, shadow gap trim, open wall connection

Component list

1	ceiling panel
8/9/55	vernier suspension
54	C-post cap profile
61	post cap cross noggin
78	self-drilling screw hexagon head with flange



Acoustics

Room acoustics

Rated sound absorption coefficient	DIN EN ISO 11654	α_w	0.15 - 1.00
Sound absorber class	DIN EN ISO 11654		E - A
Noise Reduction Coefficient	ASTM C 423	NRC	0.15 - 0.95



Fire protection

Building material class

Building material class	DIN EN 13501-1	A2 - s1, d0
Building material class	ASTM E 84	Class A
Fire stability		
Fire stability	NBN 713.020	45 minutes

Durability

Exposure class	DIN EN 13964	A
----------------	--------------	---

Sustainability

Product self-declaration	Self-declaration according to ISO 14021
Environmental product declaration	EPD according to EN 15804 / ISO 14025
Circular Economy	Cradle to Cradle Certified® Gold
French VOC Regulation	Emission class A+

Certification

CE marking	The ceiling system is a harmonised construction product acc. to regulation (EU) No. 305/2011 (Construction Products Regulation) and EN 13964: Suspended ceilings - Requirements and test methods.
TAIM e.V.	The ceiling system fulfils the requirements of the "Technical Manual Metal Ceilings" (TMMC) of TAIM e.V. (Association of Industrial Metal Ceiling Manufacturers).

Surfaces

Powder coatings	<u>COLOURline - Powder coating</u> <u>MOODline - Powder coating, deep matt</u> <u>ARTline - Decorative powder coating</u> <u>GRAPHICline - Digital print</u>
Perforation	<u>BASICline - Standard perforations</u> <u>REGULARline - Further perforations</u> <u>SPREADline - Scattered perforations</u>
Functional coatings	<u>Meteo - Corrosion protection coating</u>

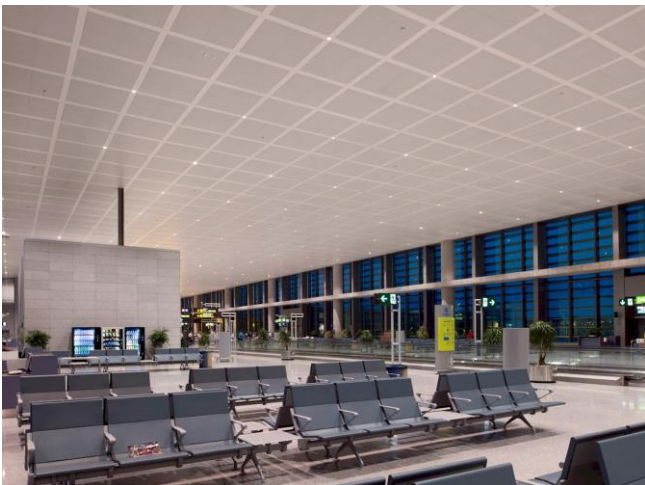


Additional equipment

Acoustic inlays	<u>Acustica - Acoustic fabric inlay</u> <u>Insula - Mineral wool inlay in acoustic foil</u> <u>Calma - Glass yarn inlay in textile cover</u>
Ventilation components	<u>AirBox S - Supply air elements</u> <u>AirBox E - Exhaust air elements</u> <u>AirBeam Basic - Standard Heated/Chilled beam</u> <u>AirBeam Discreet - Discreet Heated/Chilled beam</u>
Luminaires	<u>IS 17 - Integrated luminaire for general areas</u> <u>IS 22 - Integrated luminaire for monitor work stations</u> <u>IS 450 - Integrated luminaire for office and general areas</u> <u>LK 73 - Light channel</u> <u>QZI - Integrated luminaire with cell louvres</u> <u>BREL 100 - Post cap spare light</u> <u>LK 100 - System luminaire</u> <u>DPL - Integrated luminaire for post cap ceilings</u>
Heating and cooling function	System with integrated heating and cooling technology is available: <u>Plafotherm® B 110</u>



Application examples



© 2010www.erco.com/Photo: Thomas Mayer

© Mark Bentley Photography

Project solutions

This product data sheet refers to the standard version of the product mentioned above. We would be happy to work with you to find the right solution for your project. Adapted to your building project, you will receive a perfectly matched system. Project-specific constructions and adaptations can be found in the offer documents